

# FAIRCO

## TRADE FRAMES

### MATRIX FULLY SCULPTURED | RESIDENTIAL AND FRENCH DOORS

## FEATURES

### Maximum sash sizes

Residential: 1122mm (w) x 2122mm (h)  
French door: 1122mm (w) x 2122mm (h)

### Outer frames

\*56mm, 70mm and 85mm outer frames  
\*as threshold only

### Midrail

110mm midrail

### Sash

95mm slim door sash  
110mm door sash

### Finishes

Available in a large assortment of colours  
and woodgrain options

### Glazing beads

28mm sculptured  
32mm sculptured  
36mm sculptured

### Ancillaries

Frame extensions, cills and weathering trims  
Range of coupling options  
Range of bay pole options

### Thermal performance\*

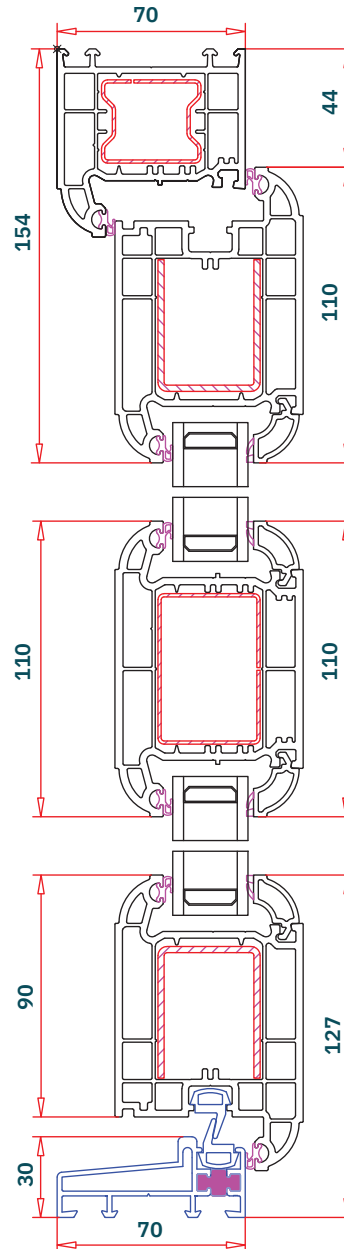
Achieves U-values as low as 1.4 W/m<sup>2</sup>K  
using double glazing  
Achieves U-values as low as 1.1 W/m<sup>2</sup>K  
using triple glazing

\* Figures can vary dependent  
on specification

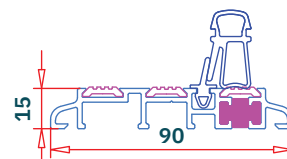
### Note 1

Not available on French Doors

## TECHNICAL DRAWING



See Note 1



PART M LOW THRESHOLD  
See Note 1